



FEATURE

- 150A Contact switch capacity, Small volume;
- A set of bridge type N.O.contacts& a set of N.O. aux contact, contact circuit has "+", "-" polarity;
- Coil power is very low, coil maintain power Max 1.8W;
- Application: Telecom equipment、Solar system、Engineering machinery、Electromobile、Electric vehicle、Charging system、Train、Ships、UPS etc;
- Comply with the ROHS

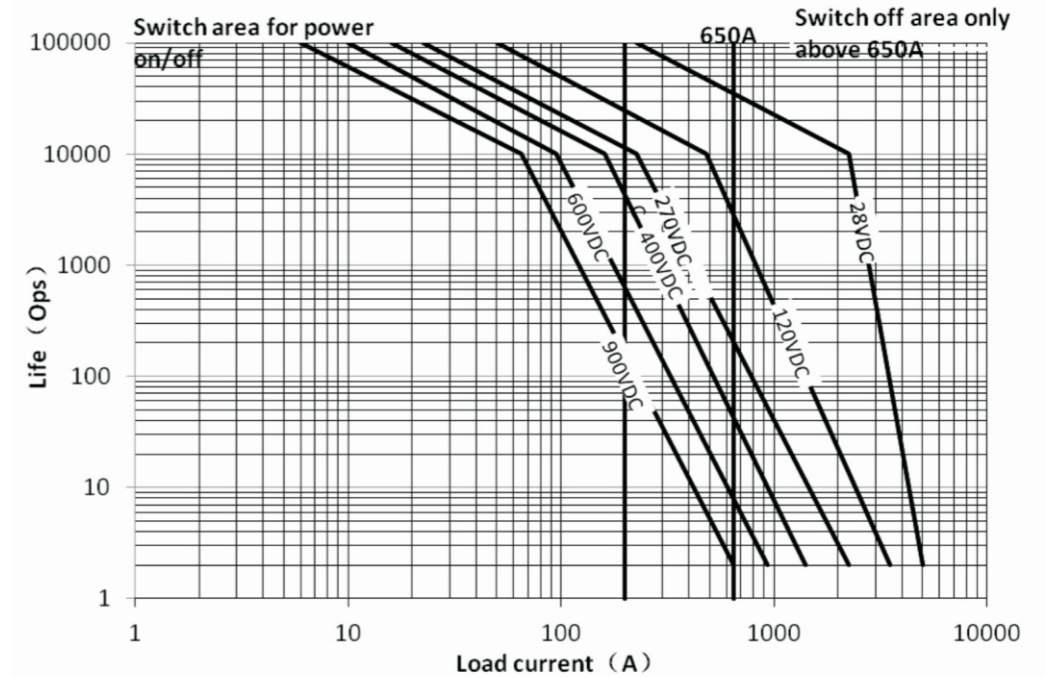
SPECIFICATION

NO.	Product No.	DH150 Energy Saving
1	Contact type	1H(SPST-NO)
2	Rated load current of contact(Resistive load)	150A (DC-1)
3	The max switch current	2000A(320VDC) 1time
4	Contact voltage drop	≤80mV@150A
5	Switching voltage	12~900V DC
6	Standard pick-up time	Max. 30ms.
7	Contact bounce time	Max. 5ms.
8	Release time	Max. 10ms.
9	Vibration(Sinusoid、80~2000HZ、peak)	(80~2000)HZ, ≤20g
10	Shock (11ms,1/2 Sinusoid、 peak、 pick-up)	≤20g
11	Operating ambient temperature	-40°C~+85°C
12	Relative humidity	20%~90% RH
13	Insulation resistance	Min. 100MΩ @ 500VDC
14	Dielectric strength (Between Insulated Electric Parts)	2200VAC 50 Hz/60 Hz (1 minute) 1000VAC 50Hz/60Hz (1 minute)(between aux. contacts) Leak current<1mA
15	Electrical life	Please refer to diagram of resistance load life
16	Mechanical life	300,000 times
17	Aux. contact type	1NO
18	Rated load of aux. contact	2A/24V
19	Min. load of aux. contact	100mA/8V
20	Mounting direction	Any direction
21	Working duty	Continuous

Coil Data

P/N	Coil voltage (V)	Coil operating voltage (V)	Pick-up voltage (V)	Release voltage (V)	Starting current(A)	Maintain current(A)
DH150	9~36	9~36	8~9	5.5~7	3.8	0.18@12V 0.09@24V
	32~95	32~95	29~31	23~25	1.3	0.03@48V

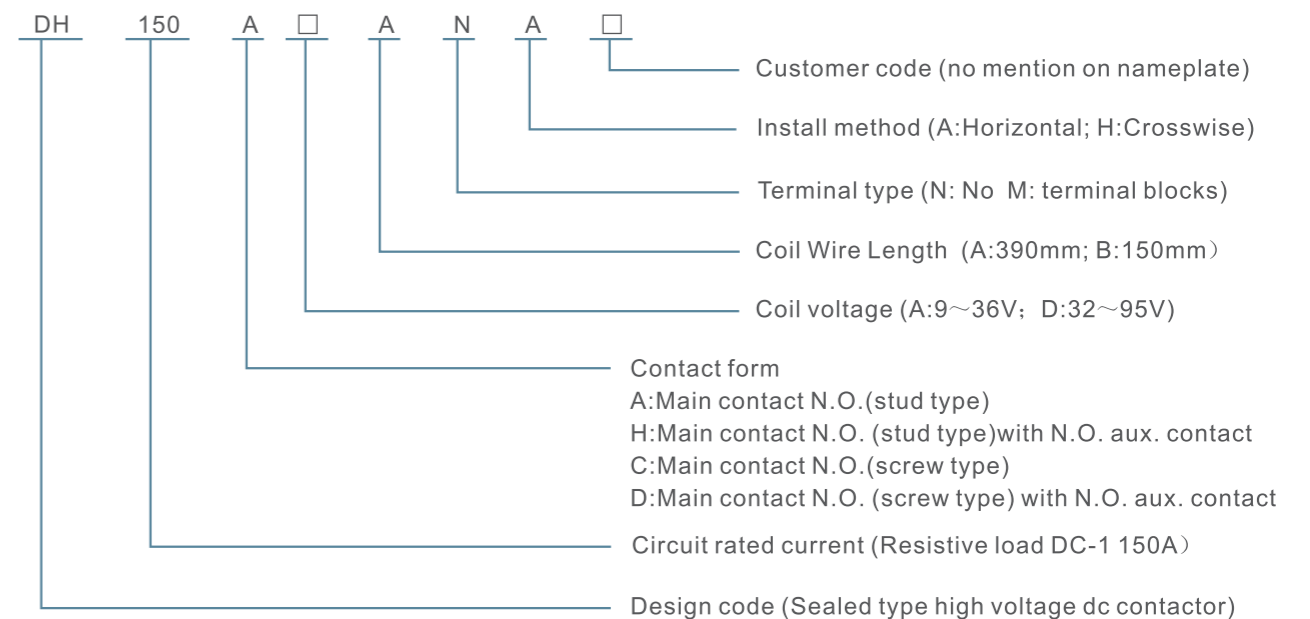
Resistive load life at different voltages



Note:

- 1、 The rated electrical life is based on resistance load test. The load max inductance≤300 μ H; If used with inductive load, please do contact the factory first.
- 2、 The above curve is drawn according to the test and infer data. Suggest users confirm in practical use.
- 3、 When the product' s Dielectric withstand voltage、 insulation resistance is less than the product parameters in the table, the product is defined as a life to an end.
- 4、 Product max pick-up current is 650A to avoid contact cold welding.

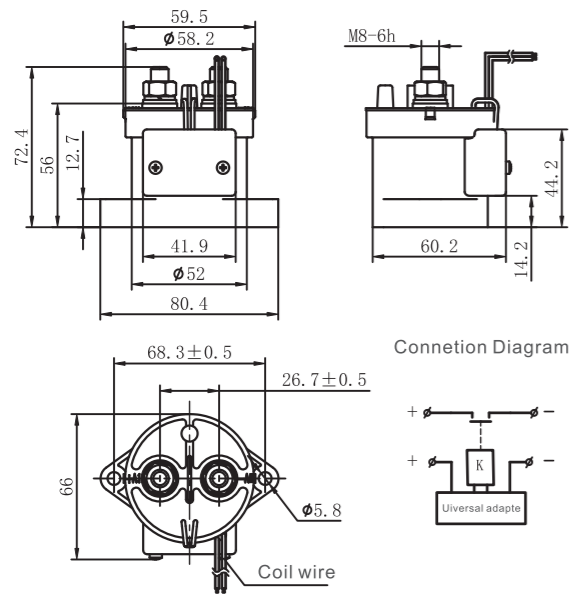
PRODUCT MODEL DEFINE



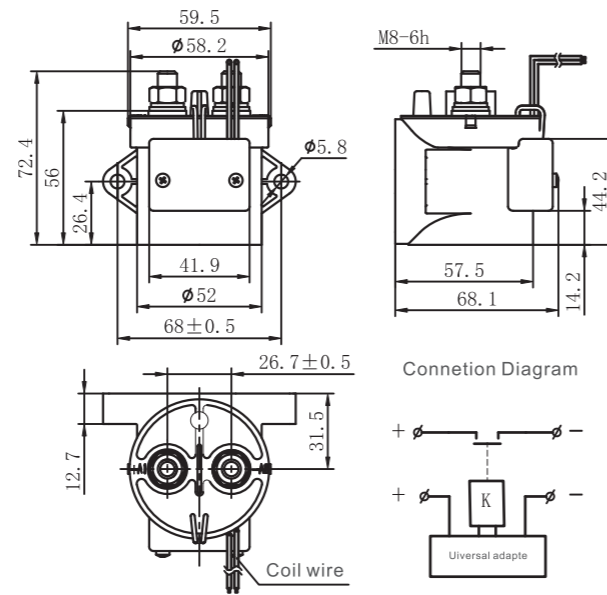
For example: DH150AAANA means: Sealed type high voltage dc contactor. Rated current is 150A at DC-1 load, main contact N.O.(stud type),without aux. contact, coil voltage is DC 9~36V, coil wire length is 390mm, horizontal installation.

Outline mounting dimension and circuit diagram

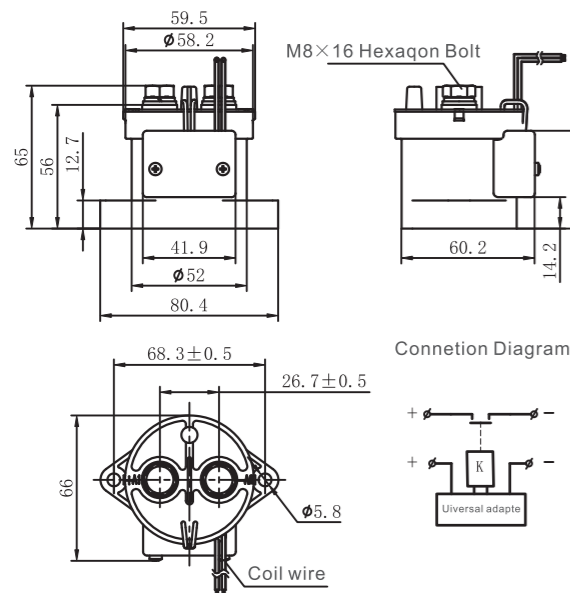
1、DH150A□□NA



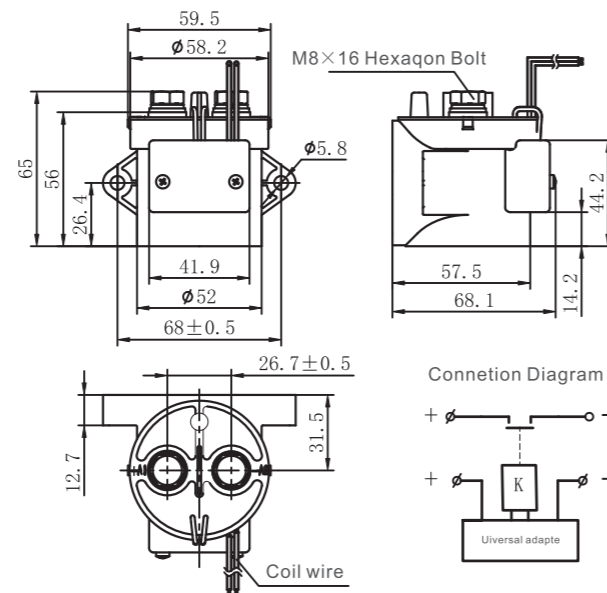
2、DH150A□□NH



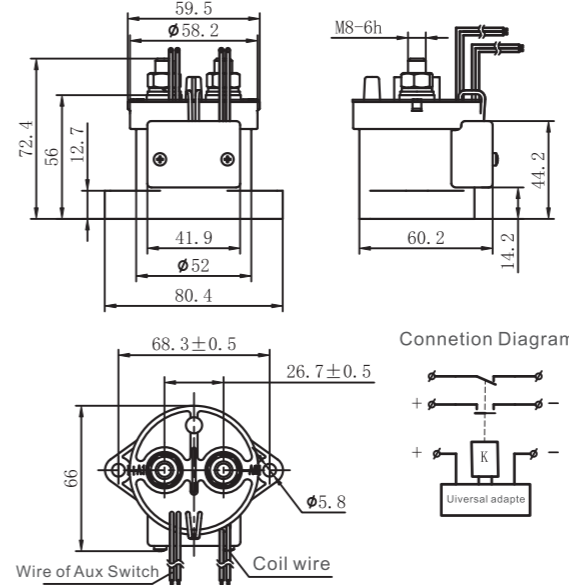
3、DH150C□□NA



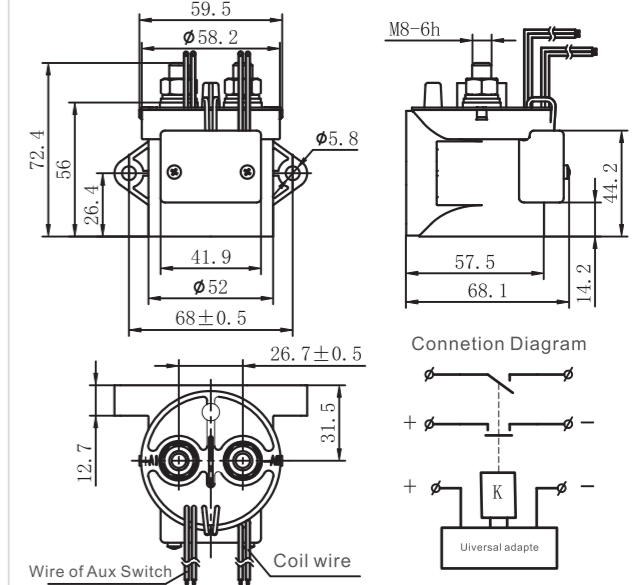
4、DH150C□□NH



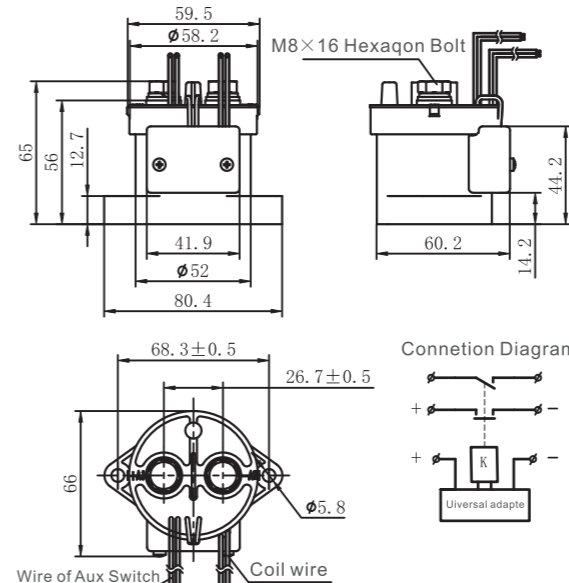
5、DH150H□□NA



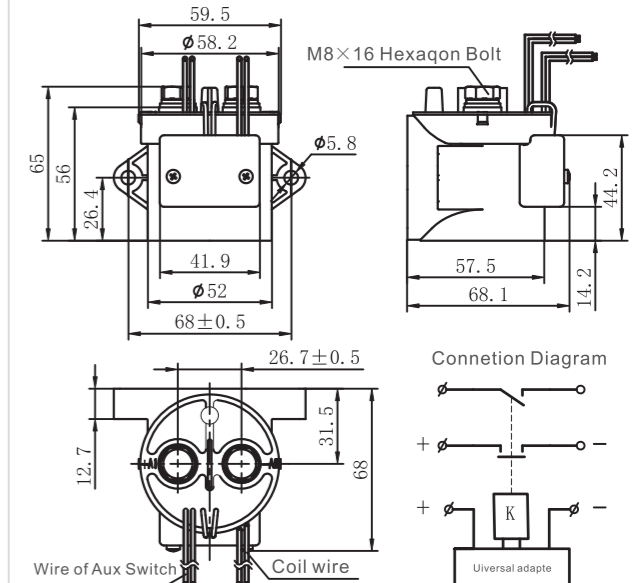
6、DH150H□□NH



7、DH150D□□NA



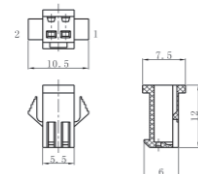
8、DH150D□□NH



Accessory

DH150series product with terminal part no is: DH150□□□M□□, the additional code means terminal type.

Additional code: M4
Terminal type: SM-2Y-HW
Terminal type: SMA-HW
Terminal dimension figure:



Fitted socket type: SM-2A-HW
Fitted terminal type: SMY-HW
The connector's two pinhole corresponding relationship with the coil lead-out wire:
1: Coil lead-out wire "+" terminal, red wire;
2: Coil lead-out wire "-" terminal, black wire.

Outline mounting dimension and circuit diagram

Dimension (mm)	Tolerance grade not noted (mm)
0~30	±0.3
30~60	±0.5
60~100	±1
> 100	±2

Note:

- The outline mounting dimensions of products are same whether with or without aux. contact;
- Both coil and main contact are polarized; The lead-out wire of coil, please connect red wire to "+" polarity & black wire to "-" polarity; Connect "+" polarity to the main contact terminal with "+" mark, and connect "-" polarity to the main contact terminal with "-" mark.