

★ ZLJK-100

★ Specifications

Model		ZLJK-100	
Contact Data	Contact form	1H (SPST-NO)	
	Rated load(Resistive load)	100A	
	Max switch current	1000A (48VDC) 1 1op	
	Contact voltage drop(initial)	≤75mV@100A	
	Current carrying capacity (@65℃)		100A : continued
			150A: 1h
			175A:15 min
			250A:5 min
			300A 50 s
			350A 30 s
		450A 15 s	
Impact resistance	Stability	ON : Half-sine shock pulse, 15ms, 25G	
	Strength	Half-sine shock pulse, 6ms, 50G	
Vibration resistance		10-1000Hz, 2.78G	
Product installation mode		Arbitrarily	

★Coil Data (20°C)

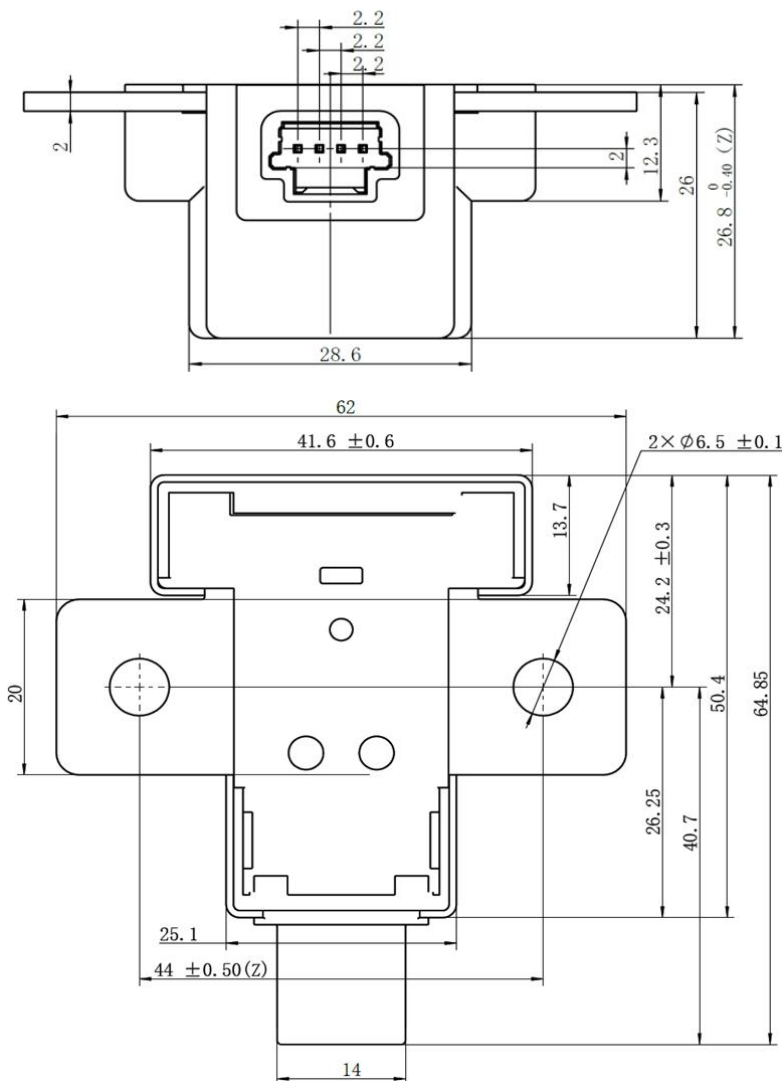
Coil Rated Voltage	Pick-up volt.	Release volt.	Max Working Voltage	Coil Resistance	Rated coil power
12VDC (Special)	≤9VDC	≥1VDC	16VDC	50 (±10%) Ω	2.9
24VDC (Special)	≤18VDC	≥2VDC	32VDC	190 (±10%) Ω	3
12VDC (Special)	≤18VDC	≥2VDC	32VDC	22 (±10%) Ω	6.5

★ Ordering Information

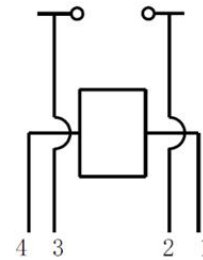
ZLJ	K	-100	/12	B	(XYZ)
Other Codes (XYZ:Special demands; None:Standard)					
Magnetic Blowout					
Coil Voltage: (12: 12VDC; 24: 24VDC)					
Rated Current: 100A					
High Performance; Sealing					
Normally Open DC Contactor					

★Shape installation and circuit diagram

ZLJK-100/□B Shape installation diagram



Coil and Aux. contact diagram

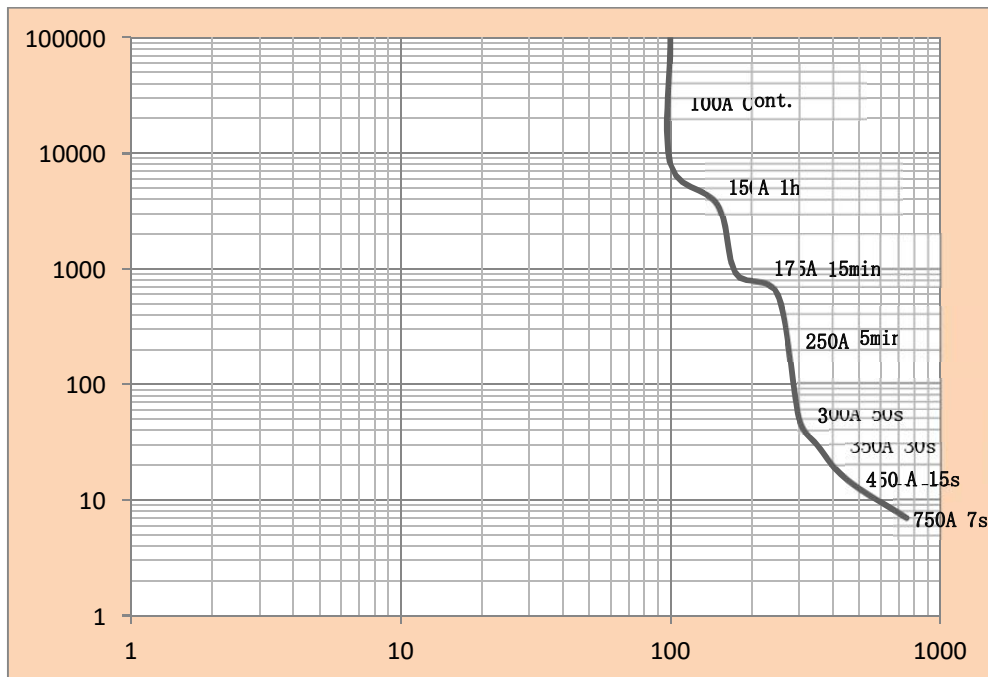


Dimensional tolerance	
Tolerance grade not noted	Dimensional tolerance
<10	±0.3
10~50	±0.6
>50	±1

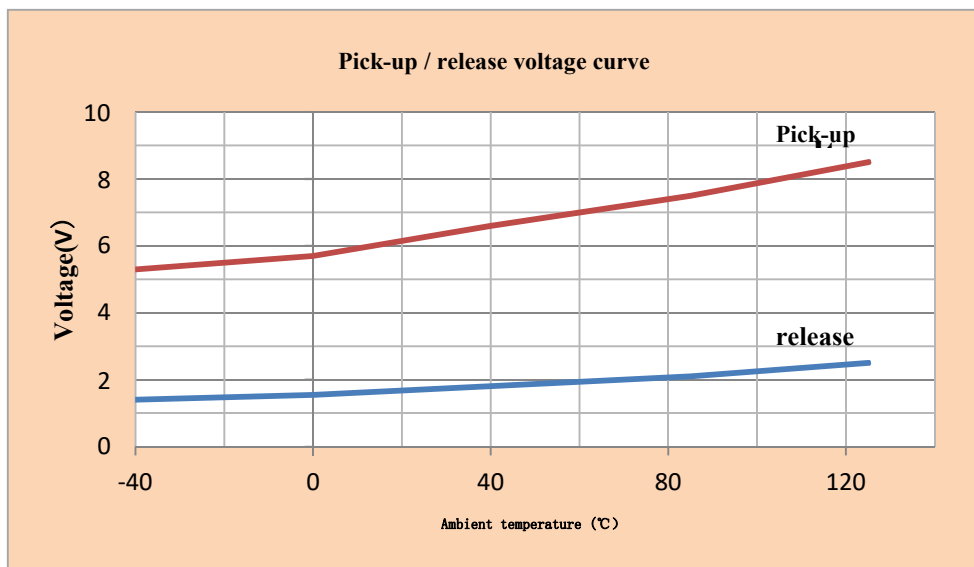
注:

1. The (Z) size is the important size.
2. M6 bolts are recommended for main contact terminals, Locking torque: 8~10Nm;
3. Product have not connector without special requirements, the model of connector port is TEc-1379658-1.

★ **Current tolerance curve**



► Note: The above data is tested at 85°C ambient temperature, Traverse area ≥ 25mm<sup>2</sup>. The data is for reference only, please do not use to select the fuse directly.



► Note: The above data are tested by random sampling of coil volt. 12VDC product. The data is for reference only, (test qty: n=3)