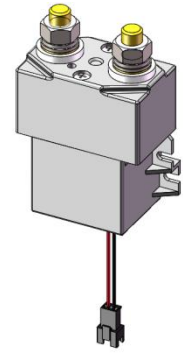


■ ZLJM-400C / A3  
Series (For 5G Application)



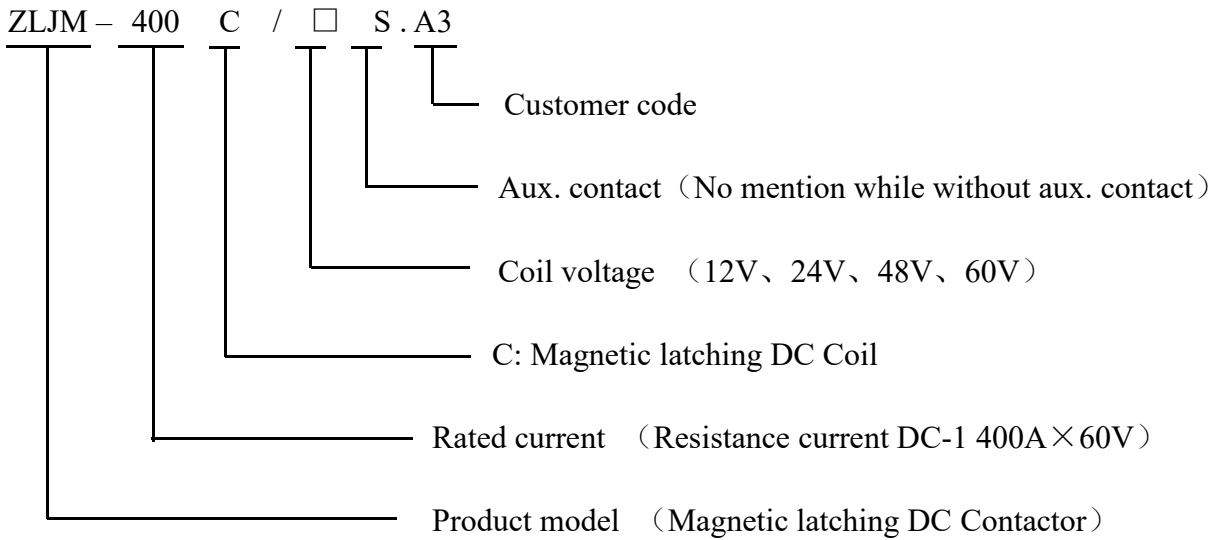
■ CONTACTOR DATA

Model	ZLJM-400C/ □ A3
Contact form	Bi-stable
Contact Rating (at Resistive Load)	400A×60VDC (DC-1)
Contact Voltage Drop	Max.80mV @400A
Insulation Resistance	Min. 100MΩ at 500VDC
Dielectric Strength (Between Insulated Electric Parts)	1000VAC 50 Hz/60 Hz (1 minute)
Pick-up time	Max. 30mSec.
Drop-out time	Max. 30mSec.
Max. bounce time of main contact	3mS
Impulse Width	0.5S~1S
Mounting Way	Arbitrarily
Working Duty	Continuous

■ COIL DATA

Model	Coil Voltage (V)	Coil Working voltage (V)	Pick-up Voltage(V)	Drop-out Voltage(V)	Starting Current (A)	Coil power dissipation(W)
ZLJM-400C/A3	12	0.8U <sub>s</sub> ~1.2U <sub>s</sub>	20%~80%	20%~80%	≤3.2	40
	24				≤1.6	
	48				≤0.8	
	60				≤0.64	

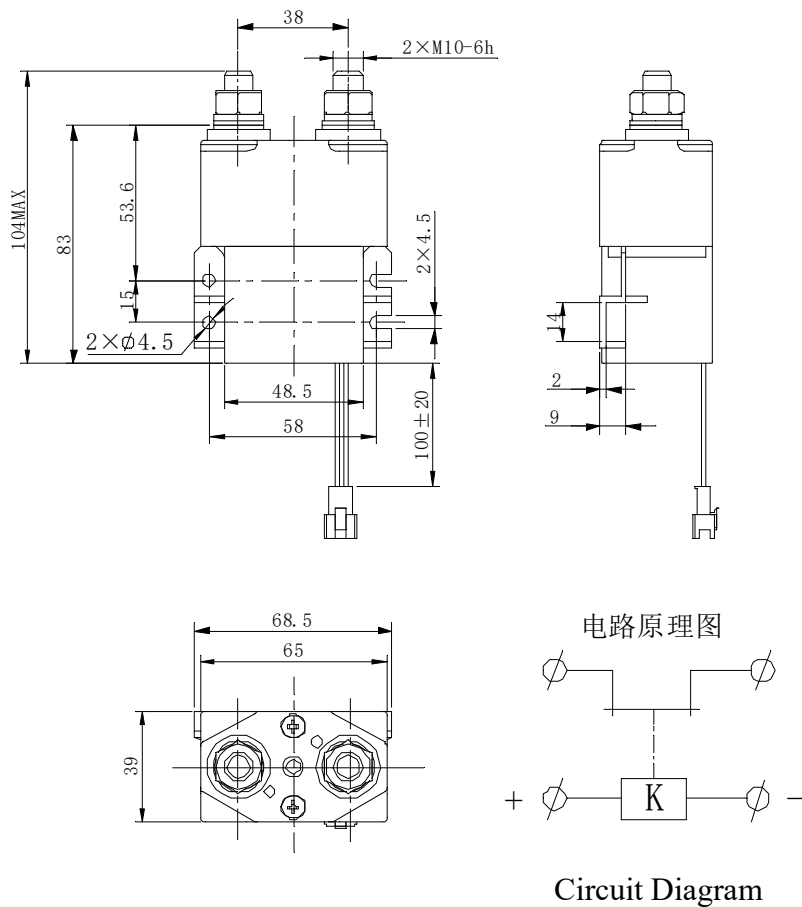
■ Part Numbering System



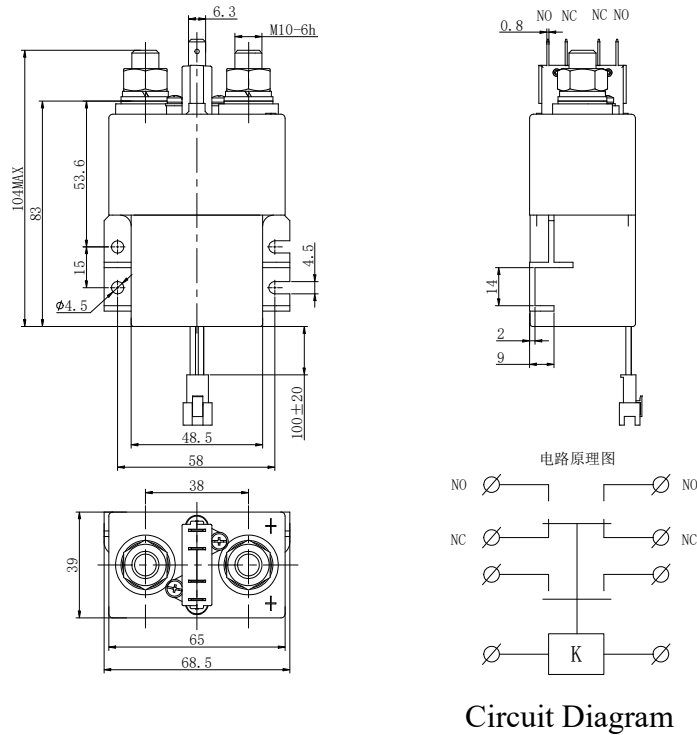
Example: ZLJM-400C/48.S; said: Magnetic latching DC Contactor, 400A for DC-1 load rated current, coil voltage 48V DC, with aux. contact.

■ SHAPE INSTALLATION AND CIRCUIT DIAGRAM

1、ZLJM-400C/□ A3 unit (mm)



2、ZLJM-400C/□.S A3



Circuit Diagram

Dimension (mm)	Tolerance grade not noted (mm)
0~30	±0.3
30~60	±0.5
60~100	±1
>100	±2

NOTE:

- Product coil is excited by positive and negative pulse,  $500\text{ms} \leq t \leq 1\text{s}$ . long time continuous energizing is not allowed. Operation frequency should be no more than 6 ops/min. It's square pulse( "+" connect with positive pulse, "-" connect with negative pulse) and positive pulse makes the contact close while negative pulse makes the contact open after the excitation ,the permanent magnet in product keeps the state of the contact.